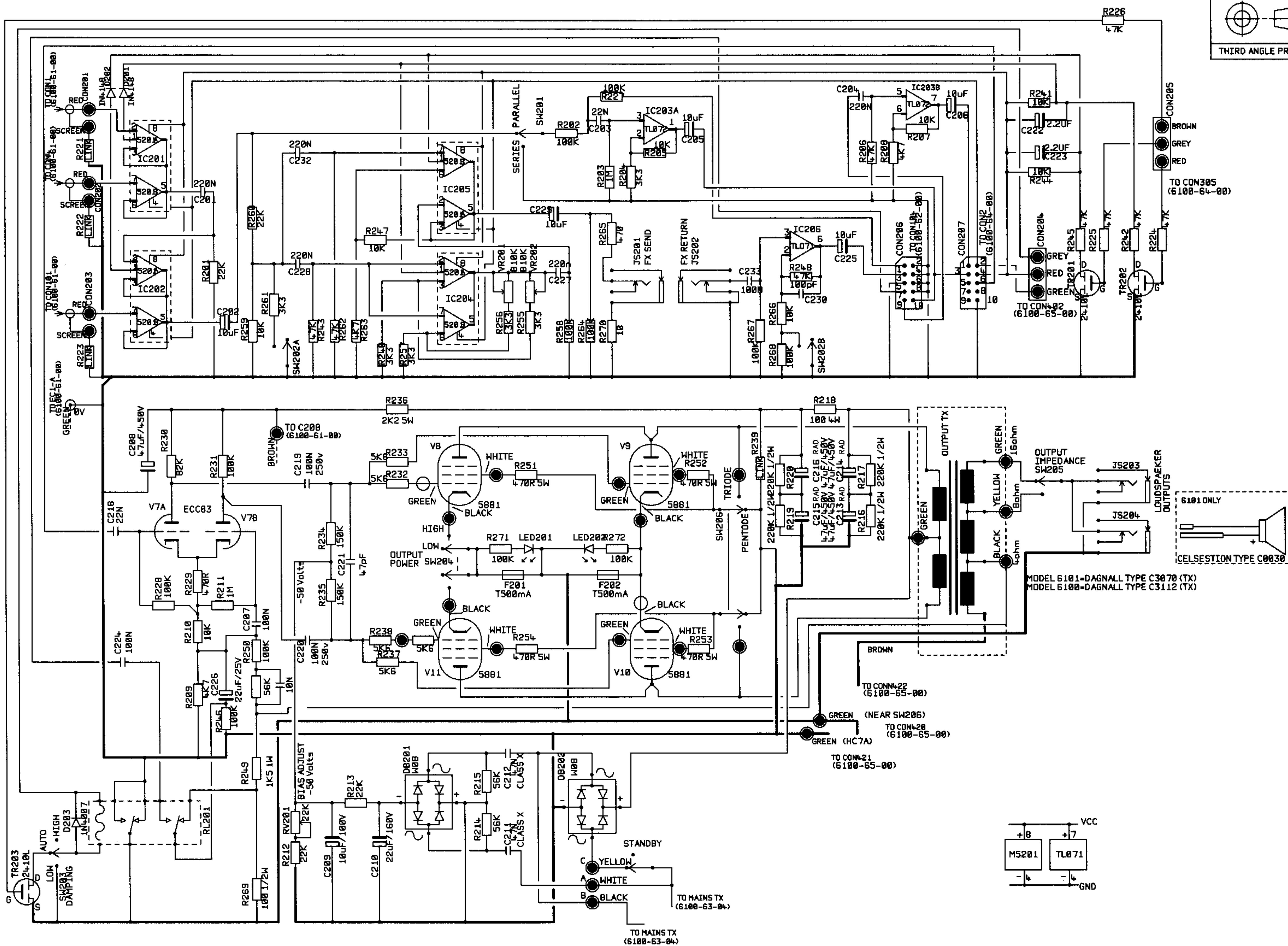



DWG.No. 6100-63-04

NOTE :- ADJUST BIAS TO -50Volts
(NO SIGNAL CONDITION)



			UNSPECIFIED HOLE DATA			MATERIAL		DIMENSIONS IN		<div><p>COPYRIGHT EXISTS ON THIS DOCUMENT. IT MUST NOT BE USED FOR ANY PURPOSE OTHER THAN THAT FOR WHICH IT IS SUPPLIED AND MUST NOT BE REPRODUCED OR IN PART WITHOUT WRITTEN PERMISSION FROM MARSHALL AMPLIFICATION PLC. DENBIGH ROAD, BLETCHLEY, MILTON KEYNES, MK1 10Q. TEL (0908)375411 FAX (0908)376118</p></div>		TITLE	
			A		H	MATERIAL THICKNESS		TOLERANCE (UNLESS OTHERWISE STATED)				POWER AMP CCT	
			B		J	INTERNAL BEND RADII		DIMENSIONAL					
			C		K	EXTERNAL B/A		CENTRES					
			D		L	BEND DIE		ANGULAR					
4	0408	24-8-93	E		M	DRAWN	T.F.	DATE	15/05/92	MODEL		DWG.No	ISSUE
3	0394	6-8-93	F		N	CHECKED		DATE		6100/6101		6100-63-04	4
2	0249	15/07/92	G		P	APPROVED		DATE					
ISS	ECO NUMBER	DATE											