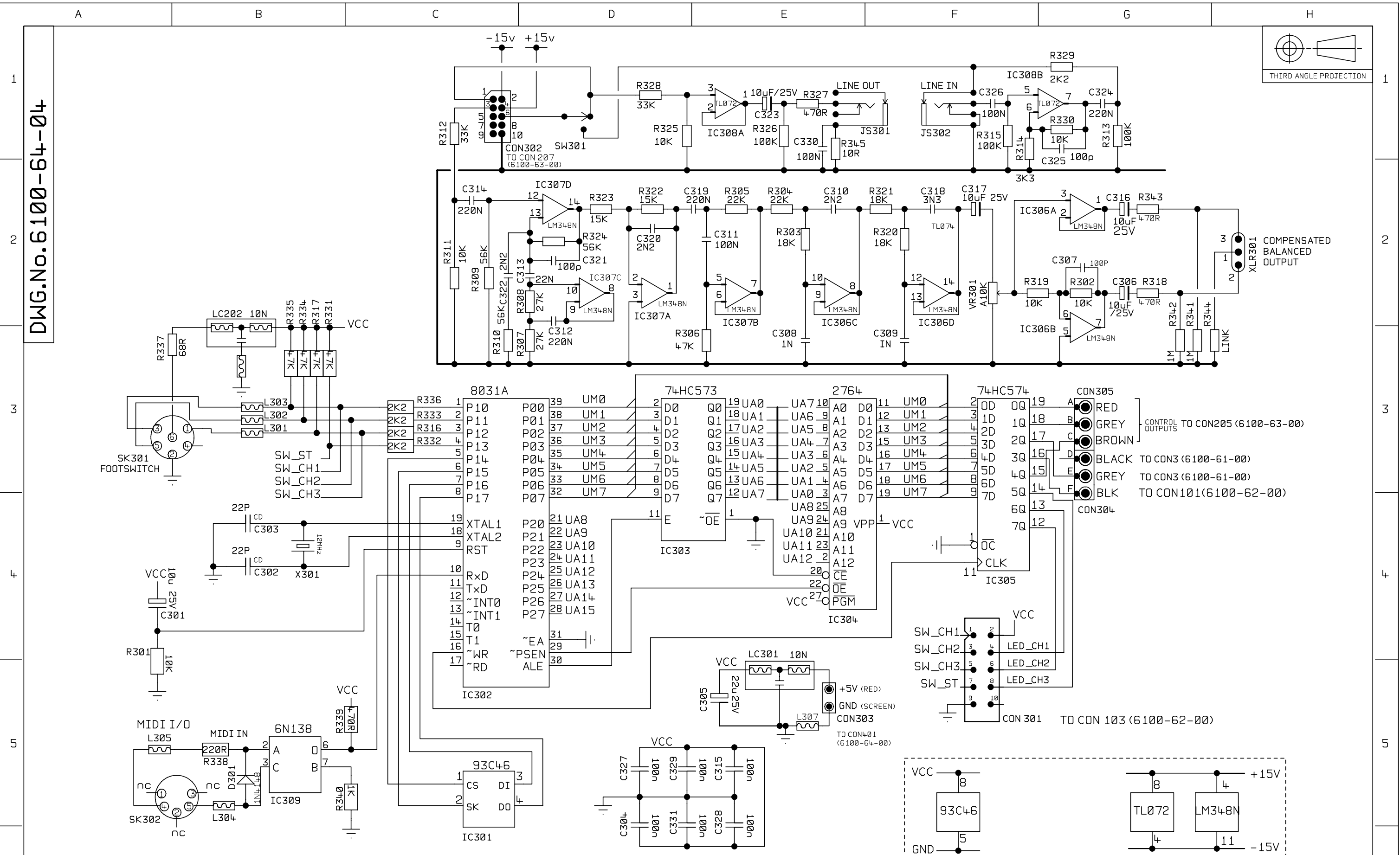
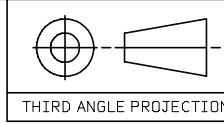


DWG.No.6100-64-04



UNSPECIFIED HOLE DATA			MATERIAL		DIMENSIONS IN		TITLE	
	A	H	MATERIAL THICKNESS		TOLERANCE (UNLESS OTHERWISE STATED)		MIDI CCT	
	B	J	INTERNAL BEND RADIUS		DIMENSIONAL		A3	
	C	K	EXTERNAL B/A		CENTRES		DWG.No 6100-64-04	
3	0303	02/02/93	BEND DIE		ANGULAR		ISSUE 3	
2	0249	15/07/92	DRAWN T.F		DATE 07/12/91			
1	RELEASED	07/12/91	CHECKED		DATE			
ISS	ECO NUMBER	DATE	APPROVED		DATE			

